



Product Specification

Doc #: spec 047
- solarlight_cust
Date: 6/01/2015
Rev #: 0

Reason of submission:

1. New Project

2. Customer Design Change

3. Material Change

4. Supplier Change

5. Others _____

Product # (SAP): 01-043, 01-044, 01-045, 01-046

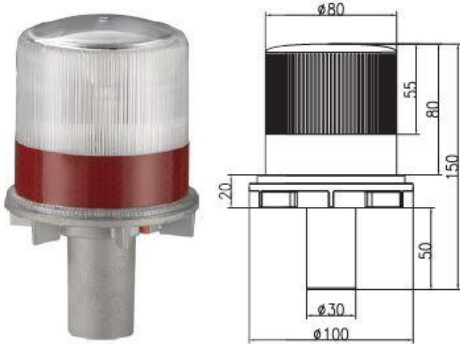
Approved By: NB

Product Description: SOLARLIGHT

Samples Required:

<u>SPECIFICATION</u>	
PRODUCT NAME: LED SOLARLIGHT	
APPLICATION: MINE WARNING LIGHT	
SIZE :	
Length - 15.0 CM, Dia.- 8CM,	
WEIGHT:	
300g+-5g	
BATTERY	SIZE
	LIFE
3.2v lion battery	
Up to 50hrs with nonstop lighting	
WORKING TEMP.	
-40°C ~ 70°C	
EXPECTED LIFE SPAN	
3 – 5 YEARS	
LIGHT DISTANCE:	
200 METERS	
IP Rating	
65	
FEATURES	
1. Completely waterproof and dust proof, can be used in rain. 2. Light control: Lighting in night, off in daytime. 3. 360° Coverage 4. Easy to use: Press one button at the bottom. 5. Diecast sealed mounting spigot	

PHOTO & DRAWING :



COMMENTS:

MTi Specification drafted by:

Nick Bodley

Latest Revision date:

Approved by:

Log: